



HORSTMANN

SMC REPLACEMENT GUIDE

Example circuit diagrams for some typical installations are shown on pages 2,3 and 4 of this guide. These diagrams are schematic and should be used as a guide only.

Please ensure that all installations comply with the current IEE regulations.

For reasons of clarity the diagrams have been simplified, for instance some Earth connections have been omitted.

Other control components shown in the diagrams i.e. Valves, RoomStats etc are general representations only. However the wiring detail can be applied to the corresponding models of most manufactures e.g. Horstmann, Honeywell, Danfoss Randall, ACL Drayton etc.

Cylinder and Room Thermostat Key:

C = Common

CALL = Call for heat or break on rise

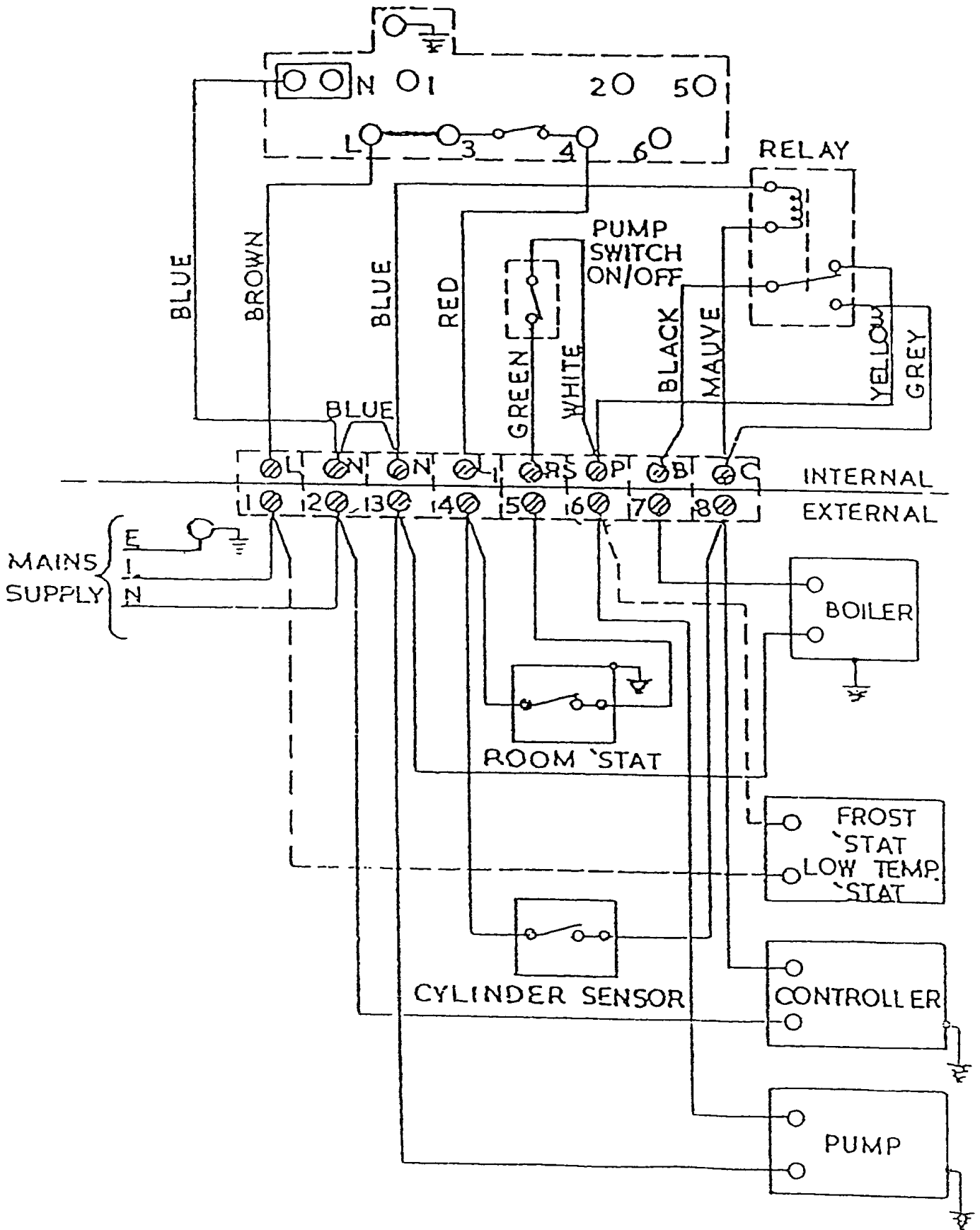
SAT = Satisfied on rise

N = Neutral

INSTALLATION AND CONNECTION SHOULD ONLY BE CARRIED OUT BY A SUITABLY QUALIFIED PERSON AND IN ACCORDANCE WITH THE CURRENT EDITION OF THE IEE WIRING REGULATIONS.

WARNING : ISOLATE MAINS SUPPLY BEFORE COMMENCING INSTALLATION

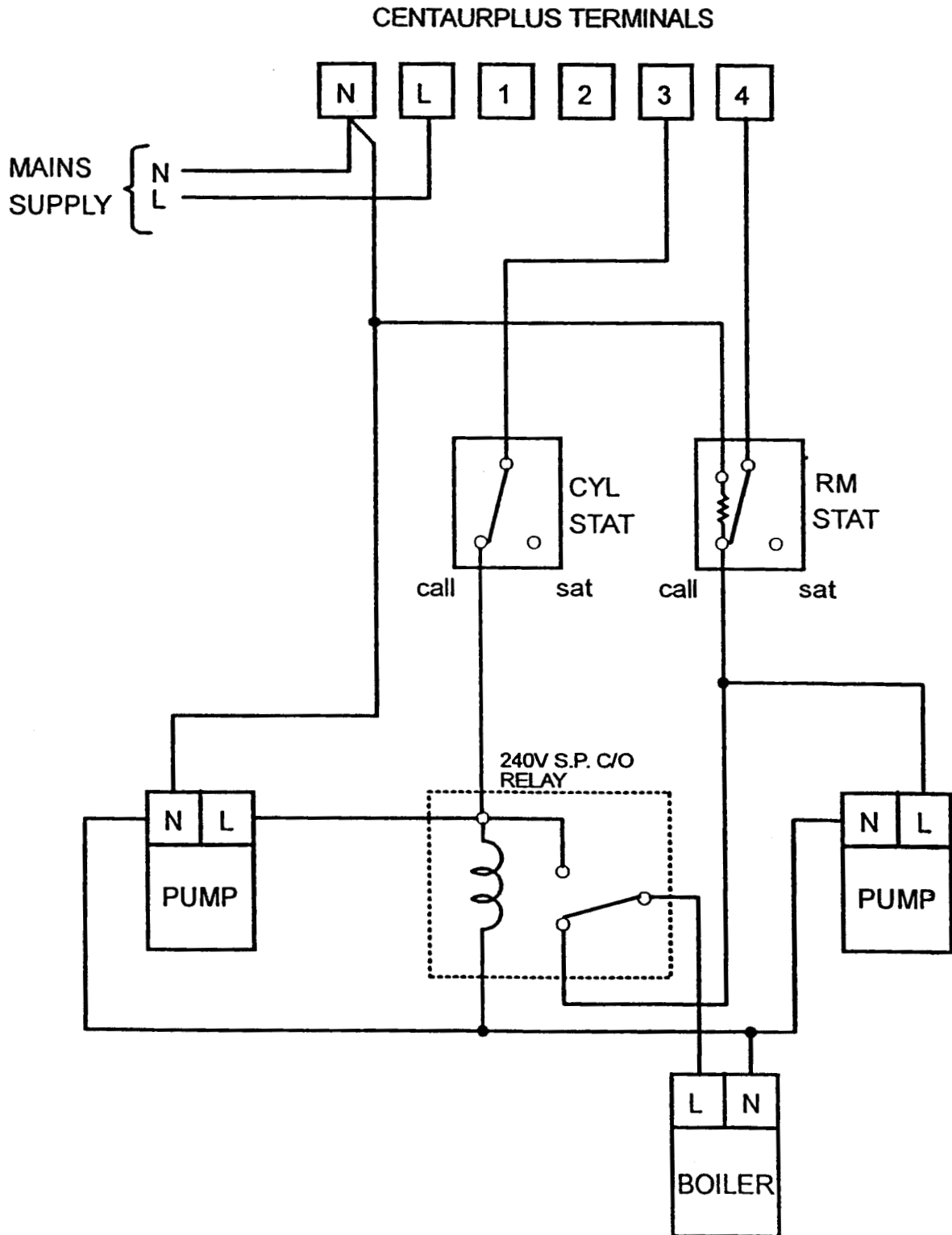
SMC '8 WAY' Programmer Controlling two pump system.



Extract from SMC Wiring instructions.

Horstmann CentaurPlus C21 or C27 Programmer controlling two pump system via room and cylinderstat.

NOTE: In order to imitate the function of an SMC Time control an external relay will have to be fitted as shown below.



Horstmann 425 Diadem or Tiara / ChannelPlus H21XL or H27XL Programmer controlling two pump system via a room and cylinderstat.

NOTE: In order to imitate the function of an SMC Time control an external relay will have to be fitted as shown below.

